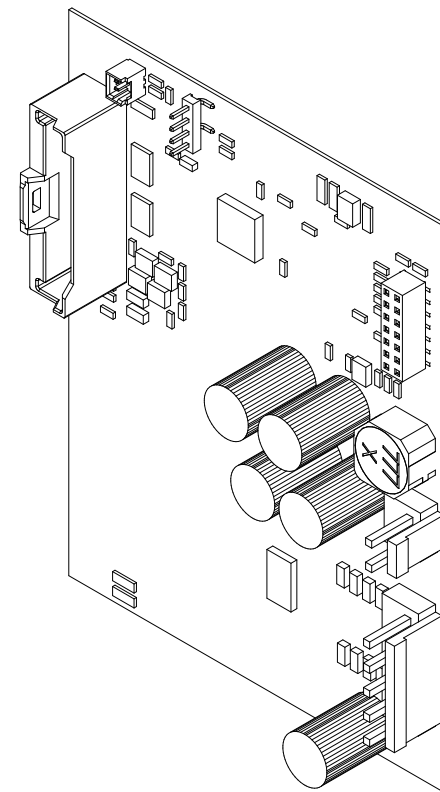
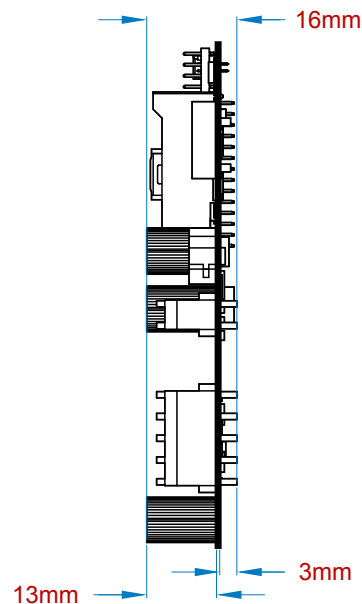
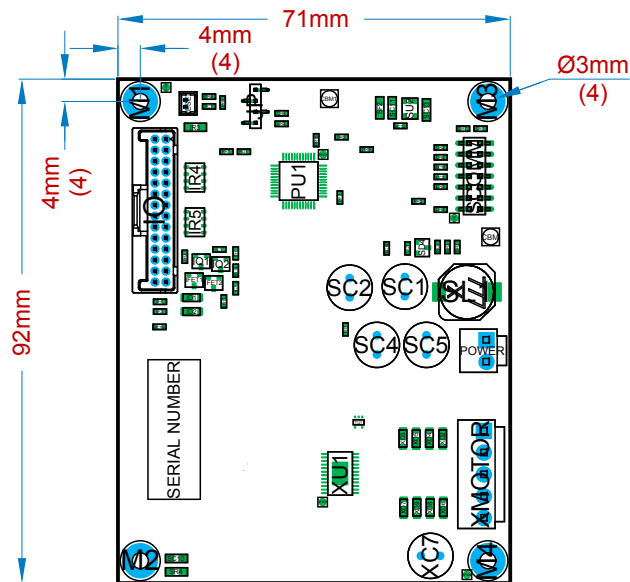


A

B



1

1

2

2

THE INFORMATION CONTAINED IN THIS DRAWING IS THE SOLE PROPERTY OF Simple Step LLC. ANY REPRODUCTION IN PART OR AS A WHOLE WITHOUT THE WRITTEN PROPRIETARY AND CONFIDENTIAL

		UNLESS OTHERWISE SPECIFIED:		NAME	DATE	Simple Step LLC	
		DIMENSIONS ARE IN INCHES		DRAWN	CRG	2/28/2019	TITLE
		TOLERANCES:		CHECKED	CRG		
		FRACTIONAL ±		ENG APPR.	CRG		
		ANGULAR: MACH ± BEND ±		MFG APPR.			
		TWO PLACE DECIMAL ±		Q.A.			SIZE
		THREE PLACE DECIMAL ±		COMMENTS:			
		INTERPRET GEOMETRIC TOLERANCING PER:					44000
		MATERIAL					SCALE: 1:1
		FINISH					WEIGHT:
NEXT ASSY	USED ON						SHEET 1 OF 2
APPLICATION		DO NOT SCALE DRAWING					

A

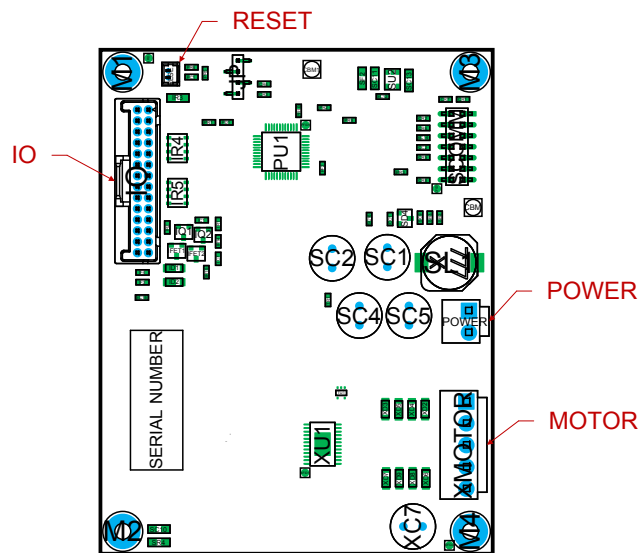
B

A

B

1

1



2

2

THE INFORMATION CONTAINED IN THIS DRAWING IS THE SOLE PROPERTY OF Simple Step LLC. ANY REPRODUCTION IN PART OR AS A WHOLE WITHOUT THE WRITTEN PROPRIETARY AND CONFIDENTIAL

		UNLESS OTHERWISE SPECIFIED:		NAME	DATE	Simple Step LLC				
		DIMENSIONS ARE IN INCHES		DRAWN	CRG	2/28/2019	TITLE SSMicroLC-4x Controller			
		TOLERANCES:		CHECKED	CRG					
		FRACTIONAL ±		ENG APPR.	CRG					
		ANGULAR: MACH ± BEND ±		MFG APPR.						
		TWO PLACE DECIMAL ±		Q.A.			SIZE	DWG. NO.		
		THREE PLACE DECIMAL ±		COMMENTS:					44000	
		INTERPRET GEOMETRIC TOLERANCING PER:					SCALE:	1:1	WEIGHT:	SHEET 2 OF 2
		MATERIAL								
		FINISH								
NEXT ASSY	USED ON									
APPLICATION		DO NOT SCALE DRAWING								

A

B